

Product datasheet

Specifications



single phase power supply,
100...240V input, 24V DC output,
53W, 2,2A

ABL2REM24020K

Main

| | |
|-----------------------------|--|
| Range of product | Easy Modicon ABL2 |
| Product or component type | Power supply |
| Power supply type | Regulated switch mode |
| Rated power in W | 53 W |
| Main Input Voltage | 100...240 V AC single phase |
| Output voltage | 24 V DC |
| Power supply output current | 2.2 A |
| Operating position | Any position |
| Vibration resistance | 4 gn (f= 10...500 Hz) conforming to IEC 61131-2 |
| Name of test | Electromagnetic hypersensitivity (EHS) conforming to IEC 61000-6-2 level A |

Complementary

| | |
|-------------------------------|---|
| Input voltage limits | 85...264 V |
| Network frequency | 47...63 Hz |
| Inrush current | 45 A at 100...240 V AC |
| Cos phi | 0.45 |
| Efficiency | 87 % |
| Power dissipation in W | 7.9 W |
| Current consumption | 0.6 A at 240 V |
| Input protection type | Integrated fuse (not interchangeable) |
| Output voltage limits | 20.4...27.6 V |
| Line and load regulation | +/- 1 % |
| Holding time | >= 12 ms at 115 V |
| Output protection type | Against overload, protection technology: 1.1...1.5 x In Against short-circuits, protection technology: 1.1...1.5 x In Against overvoltage, protection technology: 28.8...33.6 V |
| Connections - terminals | For ground connection: screw type terminals, connection capacity: 1 x 4 mm ² AWG 12 |
| Marking | CE |
| Electromagnetic compatibility | Immunity to electromagnetic interference conforming to EN 55022 class B |
| Mounting support | DIN rail with accessory Panel mounting with accessory |

| | |
|---------------------------------|------------------------------|
| Operating altitude | 5000 m |
| Output coupling | Series |
| Overvoltage category | II |
| Meantime between failure [MTBF] | 600000 h at 25 °C |
| Status LED | 1 LED (green) output voltage |
| Width | 99 mm |
| Height | 82 mm |
| Depth | 30 mm |
| Net weight | 0.25 kg |

Environment

| | |
|---------------------------------------|--|
| Product certifications | EAC IC RoHS KC RCM |
| IP degree of protection | IP20 conforming to IEC 62368-1 |
| Ambient air temperature for operation | -30...70 °C (with power derating of 2.5 % per °C) |
| Ambient air temperature for storage | -40...85 °C |
| Relative humidity | 10...95 % Class I conforming to IEC 62368-1 |
| Pollution degree | 2 |
| Dielectric strength | 2000 V between input and ground |

Packing Units

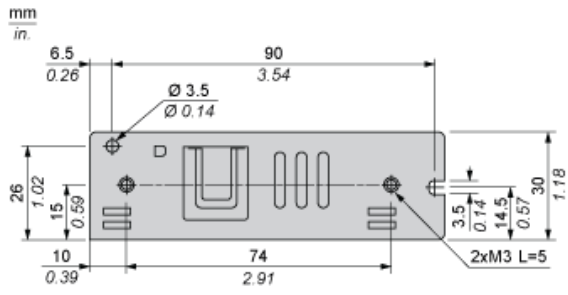
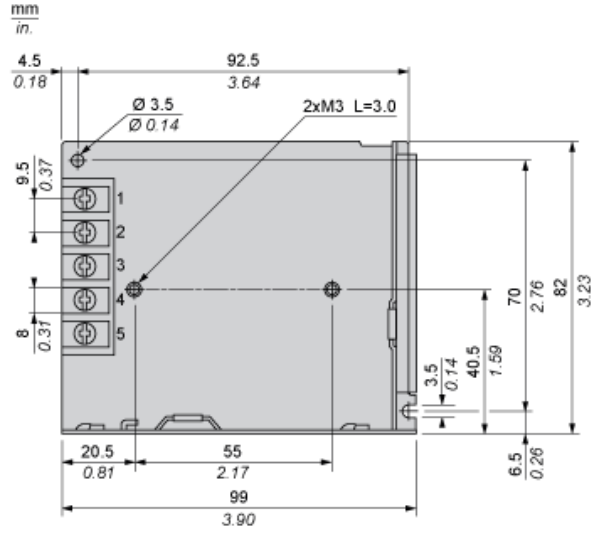
| | |
|------------------------------|------------|
| Unit Type of Package 1 | PCE |
| Number of Units in Package 1 | 1 |
| Package 1 Height | 3.8 cm |
| Package 1 Width | 8.8 cm |
| Package 1 Length | 10.5 cm |
| Package 1 Weight | 261 g |
| Unit Type of Package 2 | S03 |
| Number of Units in Package 2 | 63 |
| Package 2 Height | 30 cm |
| Package 2 Width | 30 cm |
| Package 2 Length | 40 cm |
| Package 2 Weight | 16.863 kg |
| Unit Type of Package 3 | P06 |
| Number of Units in Package 3 | 504 |
| Package 3 Height | 75 cm |
| Package 3 Width | 80 cm |
| Package 3 Length | 60 cm |
| Package 3 Weight | 142.904 kg |

Offer Sustainability

| | |
|-----------------------|---|
| REACH Regulation | REACH Declaration |
| REACH free of SVHC | Yes |
| EU RoHS Directive | Pro-active compliance (Product out of EU RoHS legal scope) EU RoHS Declaration |
| China RoHS Regulation | China RoHS declaration |

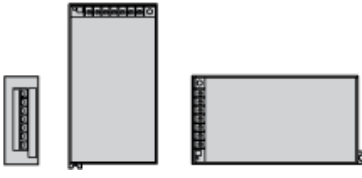
Dimensions Drawings

Mechanical Dimensions



Mounting and Clearance

Vertical Mounting

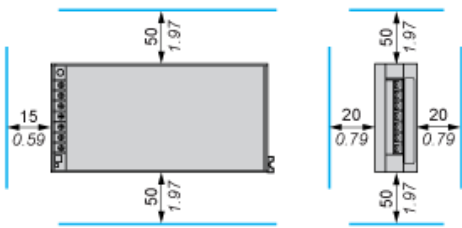


Horizontal Mounting



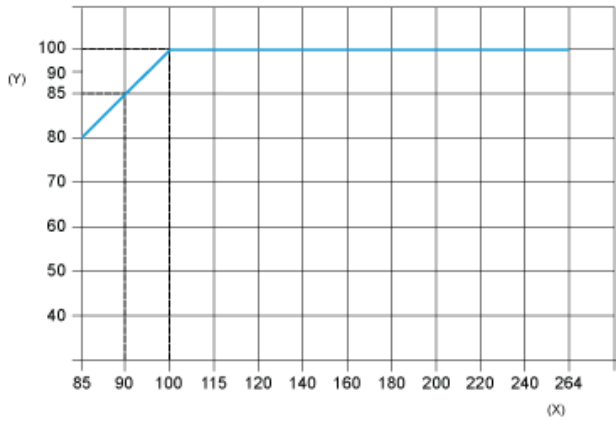
Clearance

mm
in.



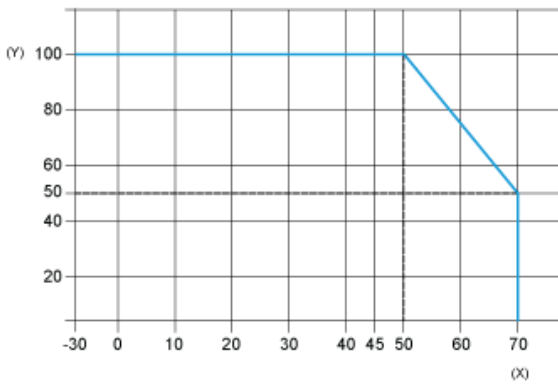
Performance Curves

Static Characteristics



(y) Load %
(x) Input voltage (VAC) 50/60 Hz

Derating Curve



(y) Load %
(x) Ambient temperature (°C)

Recommended replacement(s)